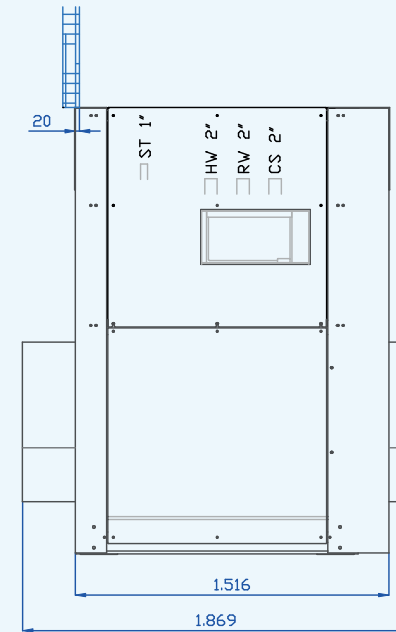
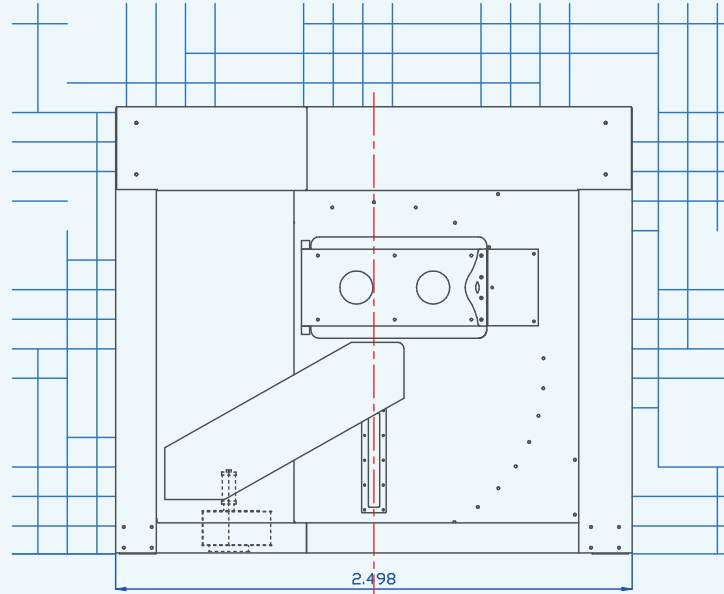
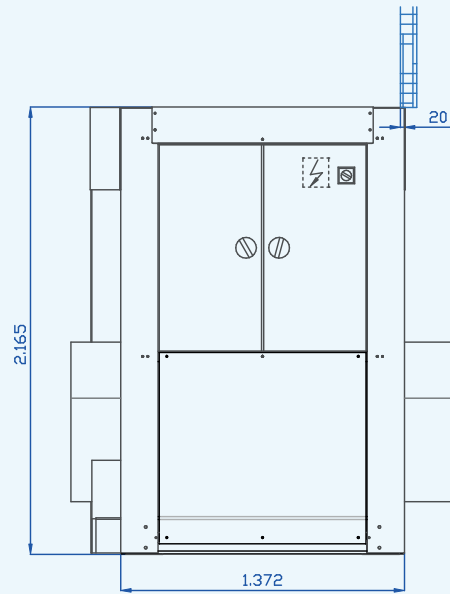


# UNICA TYPE 200/3 MED. - 808

## DOUBLE DRAIN VALVE

06092011



Steam 1" (VA)

Hot Water 2" (EC0)

Recovery Water 2" (E1)

Cold Soft 2" (EF0)

